

Dimensions mm[inch]



tolerances acc. to DIN ISO 2768-m
Toleranzen gem. DIN ISO 2768-m

Terminals

ends tinned
Enden verzinkt

Cable

round cable LIYY 2x0,14 mm², grey
colour of wires: white, brown
Rundkabel LIYY 2x0,14 mm², grau
Aderfarben: weiss, braun

Nut

polypropylene, white
Mutter, Polypropylen, weiss

O-ring

nitrile caoutchouc black
O-ring Nitril Kautschuk schwarz

Stem

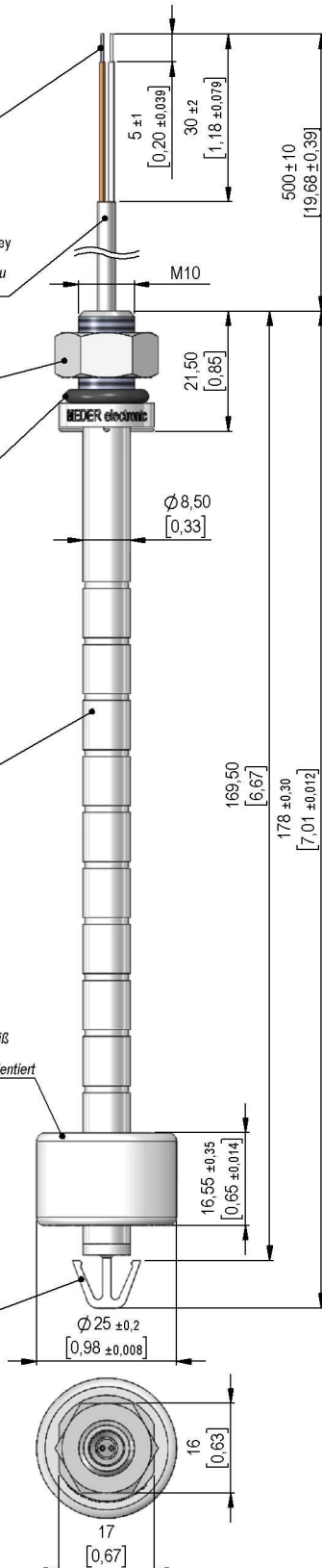
polypropylene white
Schaft Polypropylen weiss

Float MS02

polypropylene white
Schwimmer MS02 Polypropylen weiss
Magnet orientated to cable exit
Magnet in Richtung Kabelaustritt orientiert

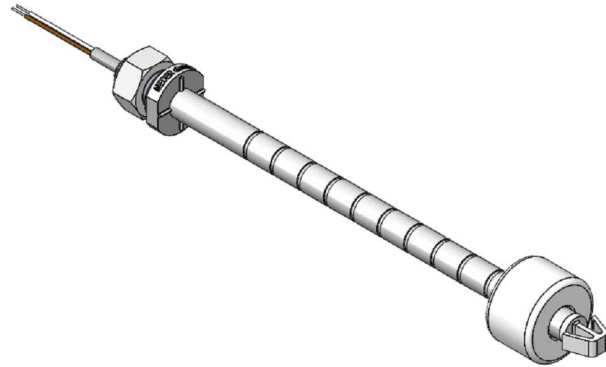
Stopper

polypropylene white
Stopper Polypropylen weiss



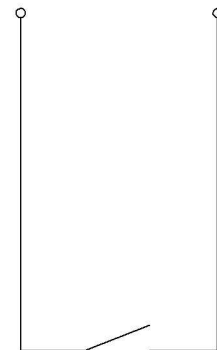
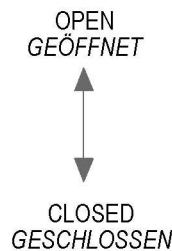
Isometric

Scale 1:2
Maßstab 1:2



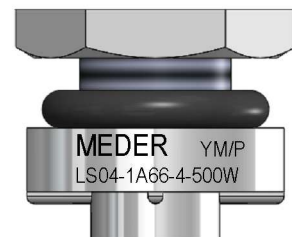
Switching scale

Schematic



Marking

according to EN60062/factory code
gem. EN60062/Fertigungsstätte





Europe: +49 / 7731 8399 0

| Email: info@standexmeder.com

Item No.:

USA: +1 / 508 295 0771

| Email: salesusa@standexmeder.com

9542664054

Asia: +852 / 2955 1682

| Email: salesasia@standexmeder.com

Item:

LS04-1A66-4-500W

Special Product Data	Conditions	Min	Typ	Max	Unit
Number of contacts			1		
Contact - form			A - NO		
Contact rating	Any DC combination of V & A not to exceed their individual max.'s			10	W
Switching voltage	DC or Peak AC			180	V
Carry current	DC or Peak AC			1,25	A
Switching current	DC or Peak AC			0,5	A
Sensor-resistance	measured with 40% overdrive			380	mOhm
Housing material LS			PP		
Material of float			PP		
Case colour			white		
Sealing compound			Polyurethan		
Reach / RoHS conformity			yes		

Environmental data	Conditions	Min	Typ	Max	Unit
Shock	1/2 sine, duration 11ms, in 3 axis			50	g
Vibration	from 10 - 2000 Hz			20	g
Operating temperature	cable not moved	-30		70	°C
Operating temperature	cable moved	-5		70	°C
Storage temperature		-30		70	°C

Cable specification	Conditions	Min	Typ	Max	Unit
Cable type			round cable		
Cable material			PVC		
Cross section			0,14 sq-mm		

General data	Conditions	Min	Typ	Max	Unit
Mounting advice			over 5m cable, a resistor is recommended.		

Modifications in the sense of technical progress are reserved

Designed at: 11.07.11 Designed by: WKOVACS

Approval at: 11.07.11 Approval by: DKUECHLER

Last Change at: 09.09.16 Last Change by: WKOVACS

Approval at: 12.09.16 Approval by: DKUECHLER

Rev. No.: 02