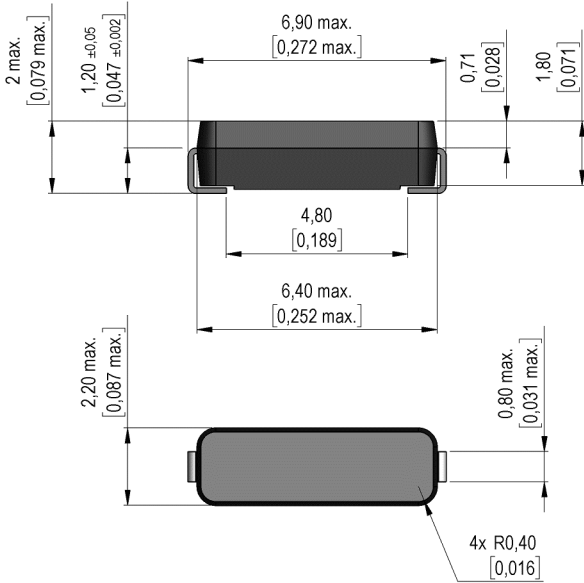
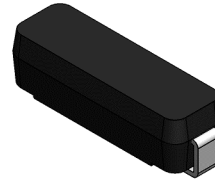


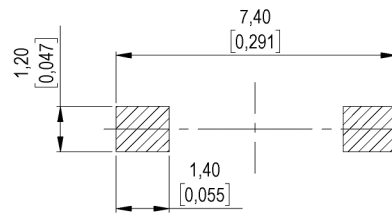
**Dimensions mm[inch]**  
 tolerances according to DIN ISO 2768-m  
 Toleranzen gem. DIN ISO 2768-m



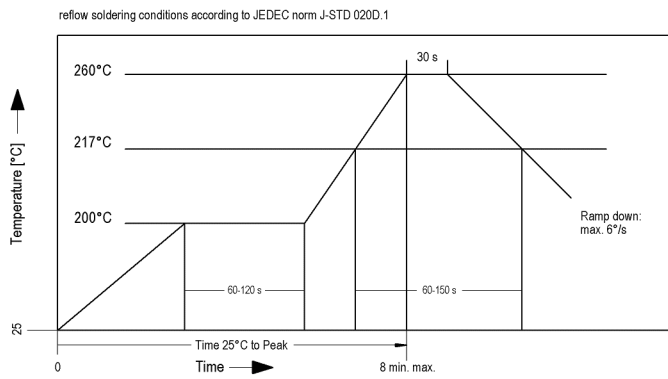
**Isometric**  
 Scale 5:1  
 Maßstab 5:1



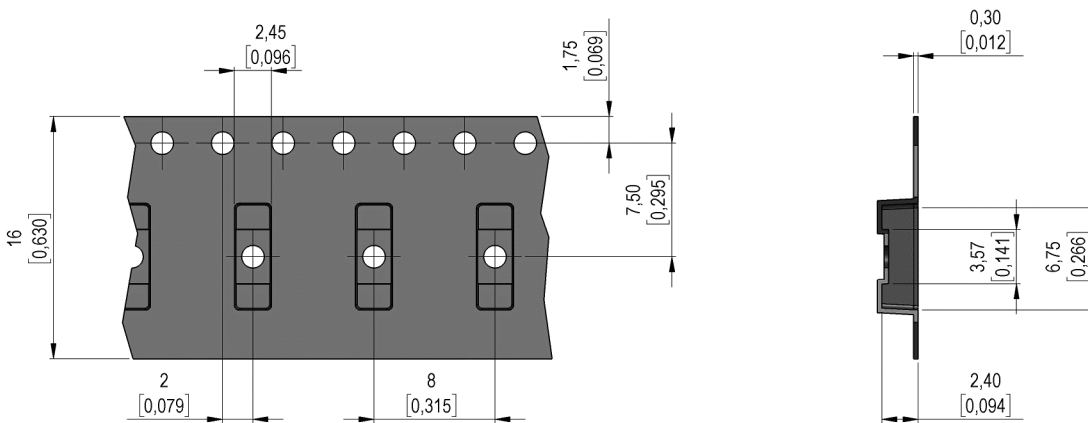
**Recommended PCB Pad Layout**



**Solder Reflow Profile**



**Packaging**





Europe: +49 / 7731 8399 0

| Email: info@standexmeder.com

USA: +1 / 508 295 0771

| Email: salesusa@standexmeder.com

Asia: +852 / 2955 1682

| Email: salesasia@standexmeder.com

Item No.:

**9310000031**

Item:

**MK31-B-3**

Magnetic properties	Conditions	Min	Typ	Max	Unit
Pull-In excitation (modified contact)	Reed switch modified phys. conditioned tolerance +/- 1 AT	35		87	AT
Test equipment	Testing 100%	KMS11+AP137			
Pull-In in milliTesla (modified contact)	MS150 - phys. caused tolerance +/- 0,1mT	2,5		6,1	mT

Contact data 04	Conditions	Min	Typ	Max	Unit
Contact rating (> 9 AT)	Any DC combination of V & A not to exceed their individual max.'s			3	W
Switching voltage	DC or Peak AC			30	V
Switching current (> 9 AT)	DC or Peak AC			0,3	A
Carry current (> 9 AT)	DC or Peak AC			0,5	A
Contact resistance static (>9AT)	Measured with 40% overdrive Start value			200	mOhm
Insulation resistance	RH <45 %, 100 V test voltage	10			GOhm
Breakdown voltage (> 9 AT)	according to EN 60255-5	100			VDC
Operate time incl. bounce (> 9 AT)				0,2	ms
Release time	measured with no coil excitation			0,15	ms
Capacity	@ 10 kHz across open switch		0,1		pF

Special Product Data	Conditions	Min	Typ	Max	Unit
Reach / RoHS conformity			yes		

Environmental data	Conditions	Min	Typ	Max	Unit
Shock	1/2 sine, duration 11ms, in 3 axis			30	g
Vibration	from 10 - 2000 Hz			20	g
Operating temperature		-40		115	°C
Storage temperature		-55		115	°C
Soldering Temperature Tsold	Reflow acc.IPC/JEDEC J-STD-020D.1			260	°C
Washability		fully sealed			

General data	Conditions	Min	Typ	Max	Unit
Remark		Pick & place force should not exceed 25cN!			
Packaging		Tape & Reel per 2000 pcs. / Tray H20			

Modifications in the sense of technical progress are reserved

Designed at: 06.04.16 Designed by: THAUKE

Approval at: 25.11.16 Approval by: MREIZNER

Last Change at: 10.01.18 Last Change by: THAUKE

Approval at: 10.01.18 Approval by: MREIZNER

Rev. No.: 2