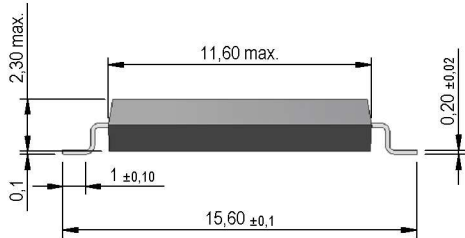


**Dimensions mm[inch]**

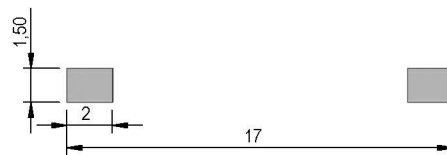
tolerances according to DIN ISO 2768-m  
Toleranzen gem. DIN ISO 2768-m

**Isometric**

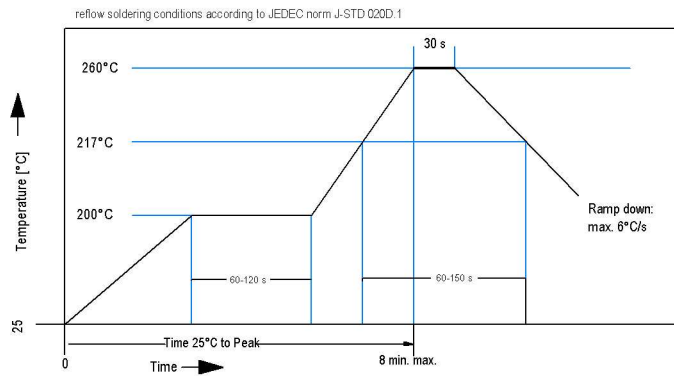
Scale 2:1  
Maßstab 2:1



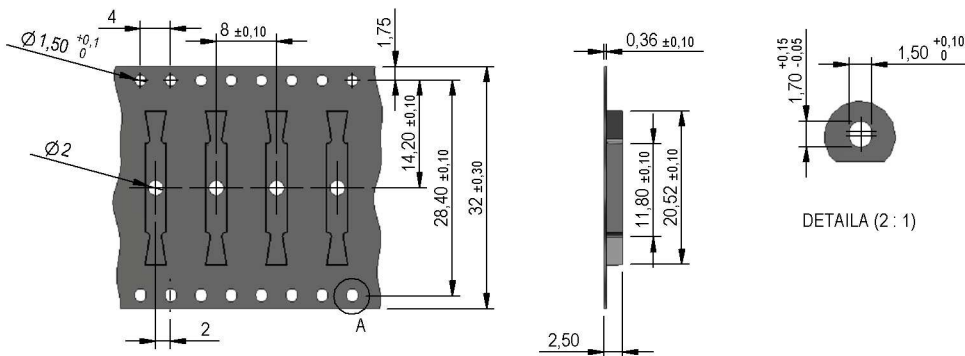
**Recommended Pad Layout**



**Solder Reflow Profile**



**Packaging**





Europe: +49 / 7731 8399 0

| Email: info@standexmeder.com

USA: +1 / 508 295 0771

| Email: salesusa@standexmeder.com

Asia: +852 / 2955 1682

| Email: salesasia@standexmeder.com

Item No.:

**9221350025**

Item:

**MK22-E-2**

Magnetic properties	Conditions	Min	Typ	Max	Unit
Pull-In	Measured at room temp. 20 ° C overdrive 40%	68		85	AT
Test equipment		KMS-11+AP038			

Contact data 35	Conditions	Min	Typ	Max	Unit
Contact - No.				35	
Contact - form				A - NO	
Contact rating	Any DC combination of V & A not to exceed their individual max.'s			20	W
Switching voltage	DC or Peak AC			200	VDC
Switching current	DC or Peak AC			1	A
Carry current	DC or Peak AC			1,25	mA
Contact resistance static	Measured with 40% overdrive Start Value			150	mOhm
Breakdown voltage (>=10AT)	according to IEC 255-5	320			VDC

Special Product Data	Conditions	Min	Typ	Max	Unit
Housing material				mineral-filled epoxy	
Case color				black	

Environmental data	Conditions	Min	Typ	Max	Unit
Shock	1/2 sine, duration 11ms, in 3 axis			50	g
Vibration	from 10 - 2000 Hz			20	g
Operating temperature		-40		130	°C
Storage temperature		-55		130	°C
Washability				fully sealed	

General data	Conditions	Min	Typ	Max	Unit
total length - SMD			15,6		mm

Modifications in the sense of technical progress are reserved

Designed at: 17.03.11 Designed by: JWU

Approval at: 08.04.11 Approval by: DRUDOLF

Last Change at: 07.12.16 Last Change by: WKOVACS

Approval at: 08.12.16 Approval by: MREIZNER

Rev. No.: 06