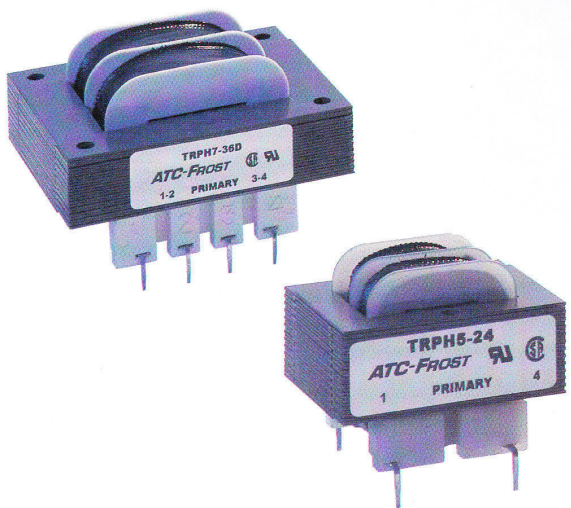


# TRPH Series

## Printed Circuit Mounting - Horizontal

### Horizontal Split Bobbin Power Transformers

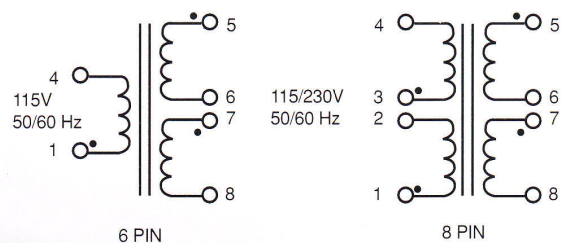
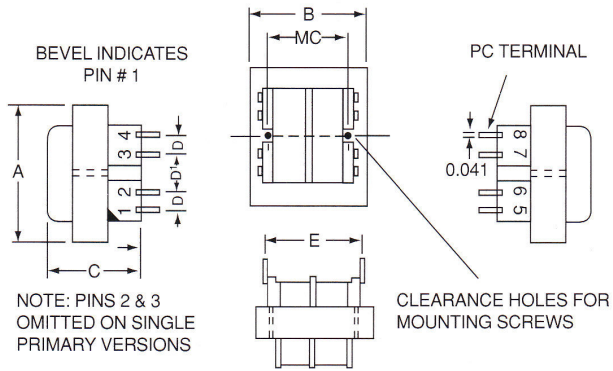


#### Features:

- Split bobbin construction provides for:
  - High isolation, primary to secondary
  - Low capacitive coupling minimizes line noise
  - No electro-static shield necessary
- Industry standard P.C. pin layout.
- Single 115V or Dual 115/230V primaries.
- Split secondaries allow series, parallel, or dual operation.
- Dielectric tested to UL/CSA standards.
- CSA certified LR16597. UL recognized E107872.
- Class B - 130°C Insulation system.



**115V Single or 115/230V Dual 50/60Hz Primary**



Cat. No.		Secondary RMS Rating			
Single 115V 6 Pin	Dual 115/230V 8 Pin	Series		Parallel	
TRPH 2-10	TRPH 2-10D	10VCT @ 0.11A	5V @ 0.22A		
TRPH 3-10	TRPH 3-10D	10VCT @ 0.25A	5V @ 0.5A		
TRPH 4-10	TRPH 4-10D	10VCT @ 0.6A	5V @ 1.2A		
TRPH 5-10	TRPH 5-10D	10VCT @ 1.2A	5V @ 4.0A		
TRPH 6-10	TRPH 6-10D	10VCT @ 2A	5V @ 0.5A		
TRPH 7-10	TRPH 7-10D	10VCT @ 3.6A	5V @ 7.2A		
TRPH 2-12	TRPH 2-12D	12.6VCT @ 0.09A	6.3V @ 0.18A		
TRPH 3-12	TRPH 3-12D	12.6VCT @ 0.2A	6.3V @ 0.4A		
TRPH 4-12	TRPH 4-12D	12.6VCT @ 0.5A	6.3V @ 1.0A		
TRPH 5-12	TRPH 5-12D	12.6VCT @ 1.0A	6.3V @ 2.0A		
TRPH 6-12	TRPH 6-12D	12.6VCT @ 1.6A	6.3V @ 3.2A		
TRPH 7-12	TRPH 7-12D	12.6VCT @ 2.85A	6.3V @ 5.7A		
TRPH 2-16	TRPH 2-16D	16VCT @ 0.07A	8V @ 0.14A		
TRPH 3-16	TRPH 3-16D	16VCT @ 0.15A	8V @ 0.3A		
TRPH 4-16	TRPH 4-16D	16VCT @ 0.4A	8V @ 0.8A		
TRPH 5-16	TRPH 5-16D	16VCT @ 0.8A	8V @ 1.6A		
TRPH 6-16	TRPH 6-16D	16VCT @ 1.25A	8V @ 2.5A		
TRPH 7-16	TRPH 7-16D	16VCT @ 2.25A	8V @ 4.5A		
TRPH 2-20	TRPH 2-20D	20VCT @ 0.055A	10V @ 0.11A		
TRPH 3-20	TRPH 3-20D	20VCT @ 0.12A	10V @ 0.24A		
TRPH 4-20	TRPH 4-20D	20VCT @ 0.3A	10V @ 0.6A		
TRPH 5-20	TRPH 5-20D	20VCT @ 0.6A	10V @ 1.2A		
TRPH 6-20	TRPH 6-20D	20VCT @ 1A	10V @ 2.0A		
TRPH 7-20	TRPH 7-20D	20VCT @ 1.8A	10V @ 3.6A		
TRPH 2-24	TRPH 2-24D	24VCT @ 0.045A	12V @ 0.09A		
TRPH 3-24	TRPH 3-24D	24VCT @ 0.1A	12V @ 0.2A		
TRPH 4-24	TRPH 4-24D	24VCT @ 0.25A	12V @ 0.5A		
TRPH 5-24	TRPH 5-24D	24VCT @ 0.5A	12V @ 1.0A		
TRPH 6-24	TRPH 6-24D	24VCT @ 0.8A	12V @ 1.6A		
TRPH 7-24	TRPH 7-24D	24VCT @ 1.5A	12V @ 3.0A		
TRPH 2-28	TRPH 2-28D	28VCT @ 0.04A	14V @ 0.08A		
TRPH 3-28	TRPH 3-28D	28VCT @ 0.085A	14V @ 0.17A		
TRPH 4-28	TRPH 4-28D	28VCT @ 0.2A	14V @ 0.4A		
TRPH 5-28	TRPH 5-28D	28VCT @ 0.42A	14V @ 0.84A		
TRPH 6-28	TRPH 6-28D	28VCT @ 0.7A	14V @ 1.4A		
TRPH 7-28	TRPH 7-28D	28VCT @ 1.3A	14V @ 2.6A		
TRPH 2-36	TRPH 2-36D	36VCT @ 0.03A	18V @ 0.06A		
TRPH 3-36	TRPH 3-36D	36VCT @ 0.065A	18V @ 0.13A		
TRPH 4-36	TRPH 4-36D	36VCT @ 0.17A	18V @ 0.34A		
TRPH 5-36	TRPH 5-36D	36VCT @ 0.35A	18V @ 0.7A		
TRPH 6-36	TRPH 6-36D	36VCT @ 0.55A	18V @ 1.1A		
TRPH 7-36	TRPH 7-36D	36VCT @ 1.0A	18V @ 2.0A		
TRPH 2-48	TRPH 2-48D	48VCT @ 0.023A	24V @ 0.05A		
TRPH 3-48	TRPH 3-48D	48VCT @ 0.05A	24V @ 0.1A		
TRPH 4-48	TRPH 4-48D	48VCT @ 0.125A	24V @ 0.25A		
TRPH 5-48	TRPH 5-48D	48VCT @ 0.25A	24V @ 0.5A		
TRPH 6-48	TRPH 6-48D	48VCT @ 0.4A	24V @ 0.8A		
TRPH 7-48	TRPH 7-48D	48VCT @ 0.75A	24V @ 1.5A		
TRPH 2-56	TRPH 2-56D	56VCT @ 0.02A	28V @ 0.04A		
TRPH 3-56	TRPH 3-56D	56VCT @ 0.045A	28V @ 0.09A		
TRPH 4-56	TRPH 4-56D	56VCT @ 0.11A	28V @ 0.22A		
TRPH 5-56	TRPH 5-56D	56VCT @ 0.22A	28V @ 0.44A		
TRPH 6-56	TRPH 6-56D	56VCT @ 0.35A	28V @ 0.7A		
TRPH 7-56	TRPH 7-56D	56VCT @ 0.65A	28V @ 1.3A		
TRPH 2-120	TRPH 2-120D	120VCT @ 0.01A	60V @ 0.02A		
TRPH 3-120	TRPH 3-120D	120VCT @ 0.02A	60V @ 0.04A		
TRPH 4-120	TRPH 4-120D	120VCT @ 0.05A	60V @ 0.1A		
TRPH 5-120	TRPH 5-120D	120VCT @ 0.1A	60V @ 0.2A		

\*Size denoted by first digit in Cat. No.

Size	VA	A	B	C	D	D1	E	MC	Lbs
2	1.1	1.38	1.13	0.94	.25	.25	1.20	-	0.17
3	2.4	1.38	1.30	1.19	.25	.25	1.20	-	0.25
4	6	1.63	1.31	1.31	.25	.35	1.28	1.06	0.44
5	12	1.88	1.56	1.44	.30	.40	1.41	1.25	0.70
6	20	2.25	1.88	1.44	.30	.40	1.60	1.50	0.80
7	36	2.63	2.19	1.56	.40	.40	1.85	†	1.10

†2.19 x 1.75 corner centers

Suffix D designates dual primary