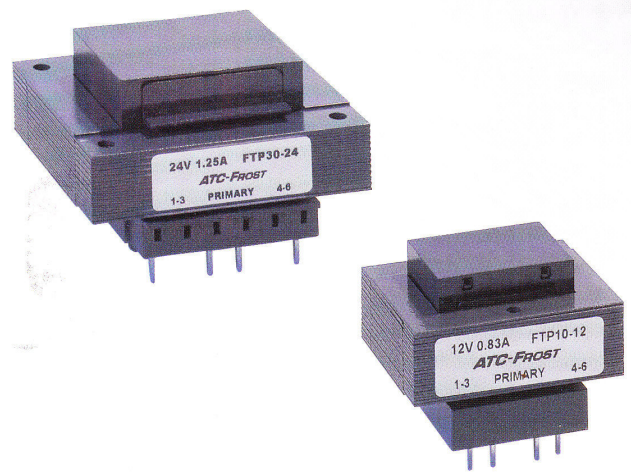


FTP Series

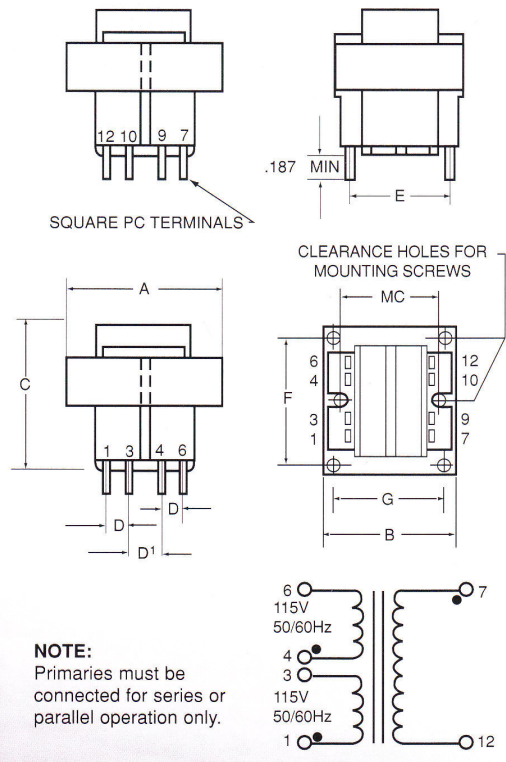
Printed Circuit Mounting

Component Class 2 Transformers



Features:

- Designed on industry standard P.C. board layout.
- Six sizes from 2.5VA to 50VA.
- Dual primary voltage, 115/230-50/60Hz.
- 4000VRMS dielectric strength tested.
- Bobbins and shroud meet UL 94VO rating.
- Most models use energy-limiting fuseless design. Customer to supply fuse per table if required.
- Split/Dual bobbin construction provides for:
 - Low capacitive coupling, minimizes noise
 - No electrostatic shield necessary
 - High isolation, primary to secondary
- Designed to meet CSA, C22.2 No. 66 and UL 1585.



NOTE:
 Primaries must be connected for series or parallel operation only.

115/230 Volt 50/60Hz Primary

Cat. No.	VA (Size)	Secondary	
		RMS Rating	Fuse if required
FTP 2.5-12	2.5	12V @ .20A	N/A
FTP 5.0-12	5.0	12V @ .42A	N/A
FTP 10-12	10	12V @ .83A	N/A
FTP 20-12	20	12V @ 1.66A	N/A
FTP 30-12	30	12V @ 2.50A	3.0 Amp
FTP 50-12	50	12V @ 4.20A	5.0 Amp
FTP 2.5-24	2.5	24V @ .10A	N/A
FTP 5.0-24	5.0	24V @ .20A	N/A
FTP 10-24	10	24V @ .42A	N/A
FTP 20-24	20	24V @ .83A	N/A
FTP 30-24	30	24V @ 1.25A	N/A
FTP 50-24	50	24V @ 2.10A	2.5 Amp

VA	A	B	C	D	D1	E	F	G	MC	PIN	MTG.	Lbs.
2.5	1.63	1.31	1.13	.20	.25	1.00	-	-	1.062	.025 SQ	#4	0.25
5.0	1.63	1.31	1.38	.20	.40	1.00	-	-	1.062	.025 SQ	#4	0.37
10.0	1.88	1.56	1.38	.20	.40	1.14	-	-	1.250	.038 SQ	#4	0.53
20.0	2.25	1.88	1.63	.40	.40	1.46	-	-	1.500	.038 SQ	#4	0.90
30.0	2.63	2.19	1.56	.55	.28	1.68	2.19	1.75	-	.045 SQ	#6	1.15
50.0	3.00	2.50	1.81	.60	.30	1.90	2.50	2.00	-	.045 SQ	#6	1.70