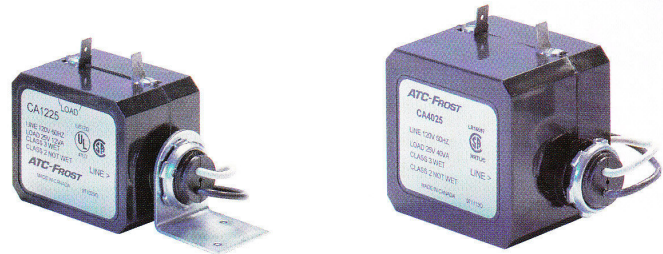


CA Series

Energy Limiting Transformers

Fully Certified Class 2 Transformers - Wired-in (Plastic)



Small Case 'A'
Shown with FA 146 installed

Large Case 'B'

Features:

- Unique, clean, stylish appearance.
- Highly isolated case requires no extra grounding.
- Rugged, high impact resistant enclosure.
- Combination screw/.25" male quick connect secondary terminals.
- Integral 1/2" conduit nipple mounting.
- Optional panel mount bracket available.
- Fuseless energy limited winding, except as noted*.
- CSA and UL approved models.



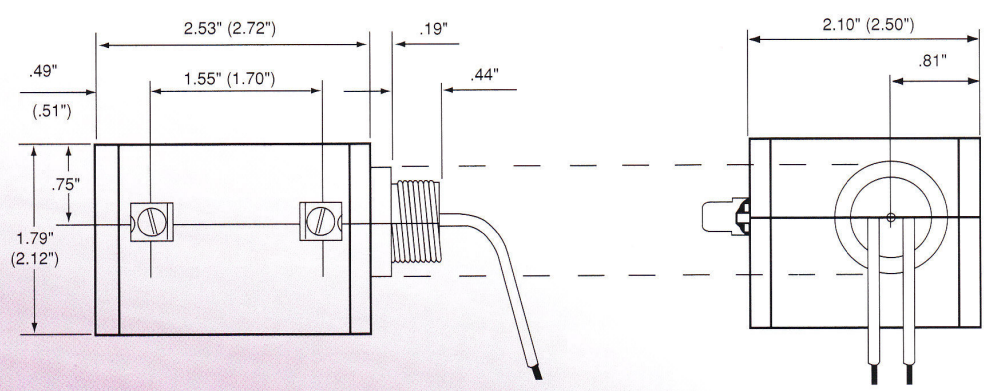
Models 120 Volt 60Hz Primary

Cat. No.	VA	Secondary (RMS)		Secondary (RMS) N.L. Volts	Approvals			Size	Weight	
		Volts	Amps.		CSA	UL	NRTL/C		lb.	Kg
CA0510	5	10	.50	12.5	X	X		A	.67	(.30)
CA1016	10	16	.63	18.8	X	X		A	.70	(.32)
CA1025	10	25	.40	29.0	X			A	.70	(.32)
CA1216	12	16	.75	18.8	X			A	.70	(.32)
CA1225	12	25	.48	29.0	X	X		A	.70	(.32)
CA1516	15	16	.94	19.0	X	X		A	.73	(.33)
CA1524	15	24	.63	27.5	X	X		A	.73	(.33)
CA2006*	20	6	3.33	7.3	X		X	A	1.1	(.50)
CA2016	20	16	1.25	19.6	X			A	1.1	(.50)
CA2025	20	25	.80	28.0	X	X		A	1.1	(.50)
CA4025	40	25	1.60	28.3	X		X	B	1.4	(.64)

Models 240 Volt 50/60Hz Primary

Cat. No.	VA	Secondary (RMS)		Secondary (RMS) N.L. Volts	Approvals			Size	Weight	
		Volts	Amps.		CSA	UL	NRTL/C		lb.	Kg
CA1225-3	12	25	.48	29	X			A	.73	(.33)
CA2006-3*	20	6	3.33	7.3	X		X	A	1.1	(.50)
CA2025-3	20	25	.80	28	X	X		A	1.1	(.50)

Dimensions - Type A & (B)



Optional FA 146 Mounting Bracket (sold separately) for panel mounting these models.

*CA2006 and CA2006-3 are classed as non-energy limiting Class 2. They use a fuse for current limiting. Also the CA2006-3 primary is rated 220 Volt/60Hz.