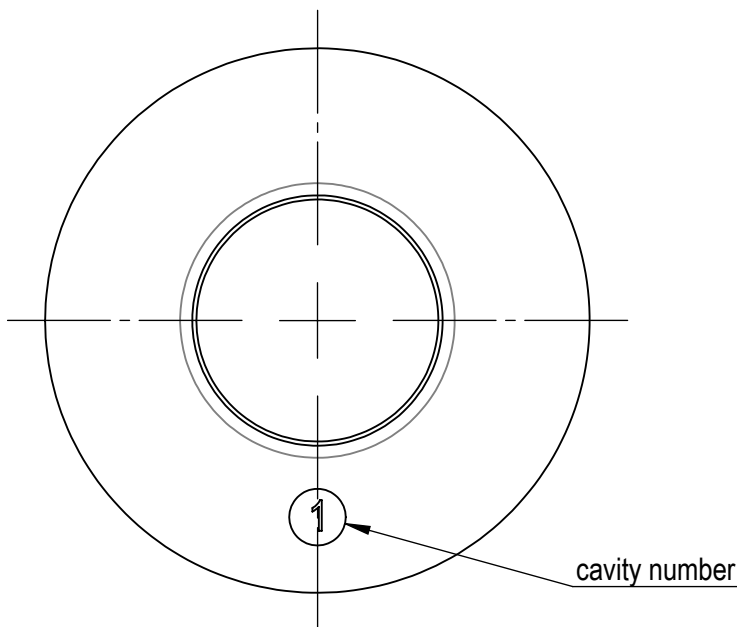


A-A



Float				
Material	PA			
Colour	white			
Density (delivery status)	N/A			g/cm <sup>3</sup>
Magnet				
Type	Ring magnet			
Material	Barium Ferrite			
Density typ.	N/A			g/cm <sup>3</sup>
Article.No	4003004150			
Magnetic moment (MS150)	Min.	Typ.	Max.	µVs*cm
	19	21,5	24	
Floatingmagnet				
Remarks	axial magnetized			
Protection class	N/A			
Overall weight	Min.	Typ.	Max.	g
	10,1		11,5	
Overall density	N/A			g/cm <sup>3</sup>
Recommendation for min. density of the used medium: Overall density of the Floatmagnet +20%				

Application					Tolerance DIN ISO 2768-m		Surface		Scale: 2:1		Weight:				
					created:	28.09.2016	wkovacs		<b>MS07-PA</b> Floating magnet						
					checked:										
					Sheet size:	A4									
					dimensions in:	mm									
					<b>StandexMeder Electronics GmbH</b> Robert-Bosch-Str.4 78224 Singen Tel.: +49(0)7731/8399-0 Fax: +49(0)7731/8399-30							Art.Nr./DrawingNr. 2500000007			
	a	was 16,15 ± 0,15 mm	28.09.2016	w.k.	<a href="http://www.standexmeder.com">www.standexmeder.com</a>							Tool Nr.			
01		issued in swx, previous versions archived in Navision	28.09.2016	w.k.								<small>PROPRIETARY AND CONFIDENTIAL            THE INFORMATION CONTAINED IN THIS DRAWING IS            THE SOLE PROPERTY OF StandexMeder Electronics GmbH. ANY            REPRODUCTION IN PART OR AS A WHOLE WITHOUT            THE WRITTEN PERMISSION OF StandexMeder Electronics GmbH            IS PROHIBITED.</small>		page 1	
Rev.	state	change	date	name										of 1	