

SX55 Series Planar Transformers with Power Ratings to 350 / 700 W



Contact Information:

Standex-Meder Electronics

World Headquarters
4538 Camberwell Road
Cincinnati, OH 45209 USA

Standex Americas (OH)

+1.866.STANDEX
(+1.866.782.6339)
info@standexelectronics.com

Meder Americas (MA)

+1.800.870.5385
salesusa@standexmeder.com

Standex-Meder Asia (Shanghai)

+86.21.37820625
salesasia@meder.com

Standex-Meder Europe

(Germany)
+49.7731.8399.0
info@standexmeder.com

Single Interleave Designs - Maximum Height 7.4mm

Part #	Turns		Primary* Inductance (μ H Min.)	Leakage** Inductance (μ H Nom)	DCR (m Ω Nom)		Sch.
	PRI	Sec.			PRI	Sec.	
SX55-1-4444	4T		54	0.15	7		
SX55-1-5544	5T	4T	85	0.18	12		
SX55-1-6644	6T	1T & 1T	120	0.22	17	7.00	B1
SX55-1-7744	7T	1T & 1T	165	0.28	25		
SX55-1-8844	8T		215	0.33	32		
SX55-1-4477	4T		54	0.15	7		
SX55-1-5577	5T		85	0.18	12		
SX55-1-6677	6T	7T & 7T	120	0.22	17	46 & 46	B2
SX55-1-7777	7T		165	0.28	25		
SX55-1-8877	8T		215	0.33	32		
SX55-1-4411	4T		54	0.15	7		
SX55-1-5511	5T		85	0.18	12		
SX55-1-6611	6T	1T & 1T	120	0.22	17	0.9 & 0.9	B2
SX55-1-7711	7T		165	0.28	25		
SX55-1-8811	8T		215	0.33	32		
SX55-1-4421	4T		54	0.15	7		
SX55-1-5521	5T		85	0.18	12		
SX55-1-6621	6T	2T & 1T	120	0.22	17	4 & 1	B3
SX55-1-7721	7T		165	0.28	25		
SX55-1-8821	8T		215	0.33	32		

* Inductance is measured with primary winding (2 to 4).

**Leakage inductance is measured on winding (2 – 4) with all other windings shorted.

Double Interleave Designs - Maximum Height 10.2mm

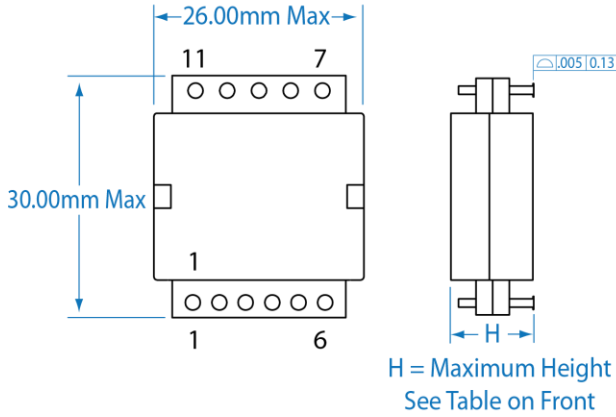
Part #	Turns			Primary* Inductance (μ H Min.)	Leakage** Inductance (μ H Nom)	DCR (m Ω Nom)			Sch.
	PRI A	PRI B	Sec.			PRI A	PRI B	Sec.	
SX55-2-4444	4T	4T		216	0.100	7	7		
SX55-2-5544	5T	5T	4T	340	0.150	12	12		
SX55-2-6644	6T	6T	1T & 1T	480	0.180	17	17	3.50	A1
SX55-2-7744	7T	7T	1T & 1T	660	0.250	25	25		
SX55-2-8844	8T	8T		860	0.280	32	32		
SX55-2-4411	4T	4T		216	0.100	7	7		
SX55-2-5511	5T	5T		340	0.150	12	12		
SX55-2-6611	6T	6T	1T & 1T	480	0.180	17	17	0.45 & 0.45	A2
SX55-2-7711	7T	7T		660	0.250	25	25		
SX55-2-8811	8T	8T		860	0.280	32	32		

* Inductance is measured with both primary windings connected in series (2 to 5, with 3 and 4 shorted).

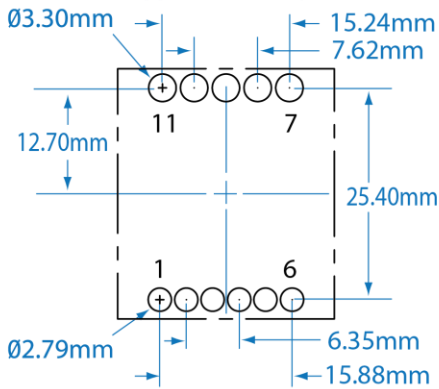
**Leakage inductance is measured on winding (2 – 5) connected in series with all other windings shorted.

Notes: All Electrical Values at 25°C | Pri : Sec'y : Core Isolation 1750 VAC / Sec : Core 500 VDC | Creepage 8mm Pri : Core Maximum Non-Operating Temperatures: -55°C to +130°C | Maximum Operating Rated Temperatures: -30°C to +85°C

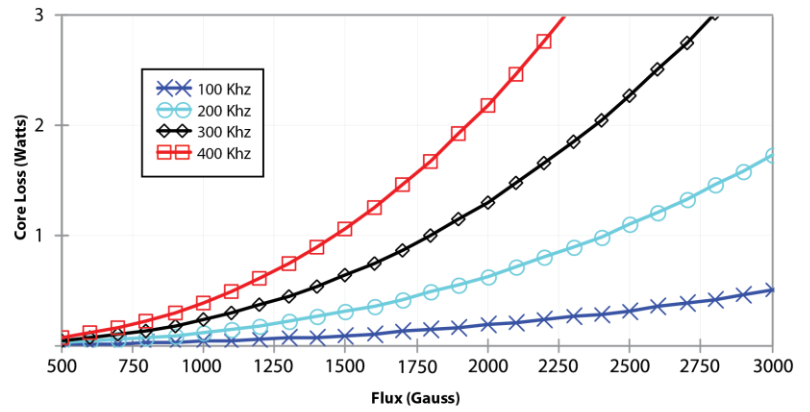
Mechanical Dimensions



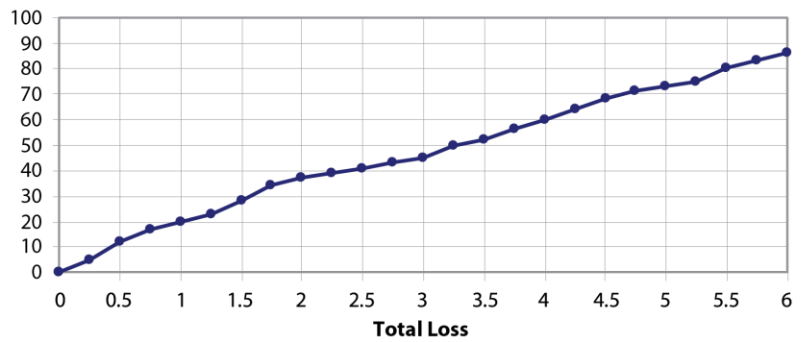
Suggested Pad Layout



Core Loss Vs Flux Density

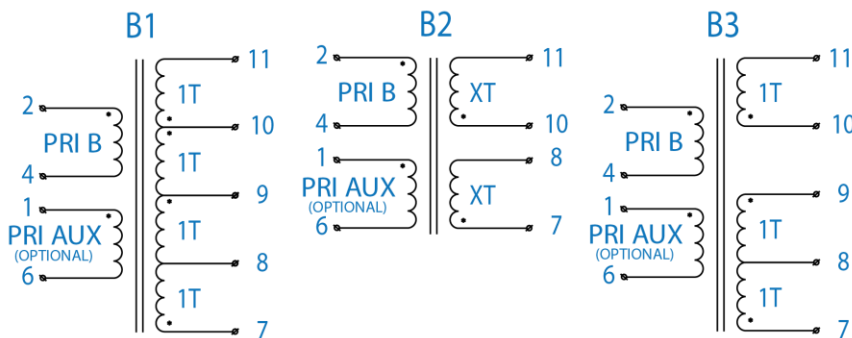


Temperature Rise



Schematics

Single Interleave



Double Interleave

